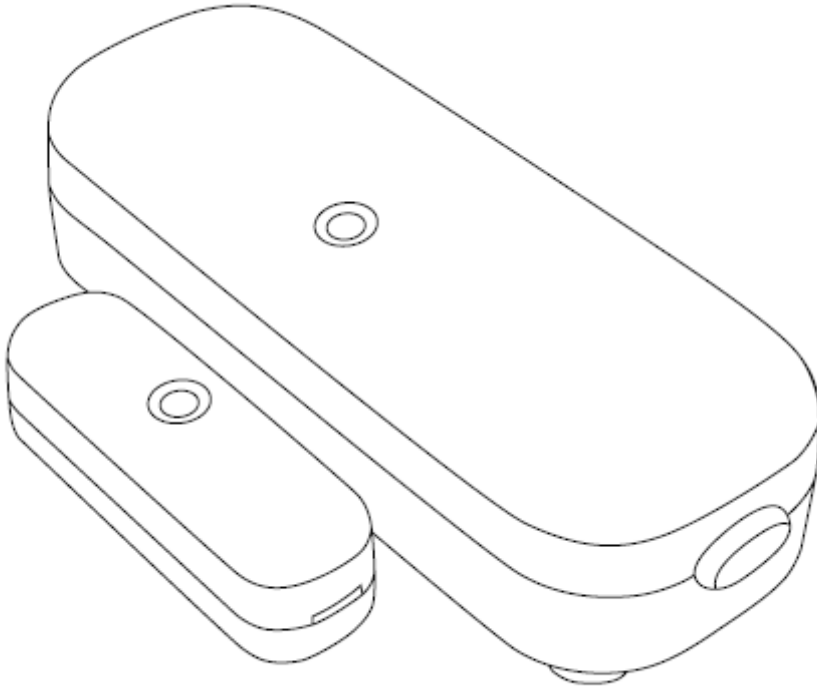


Door Window Sensor Gen5 (User Guide)

Modified on: Sat, 10 Dec, 2016 at 7:25 PM



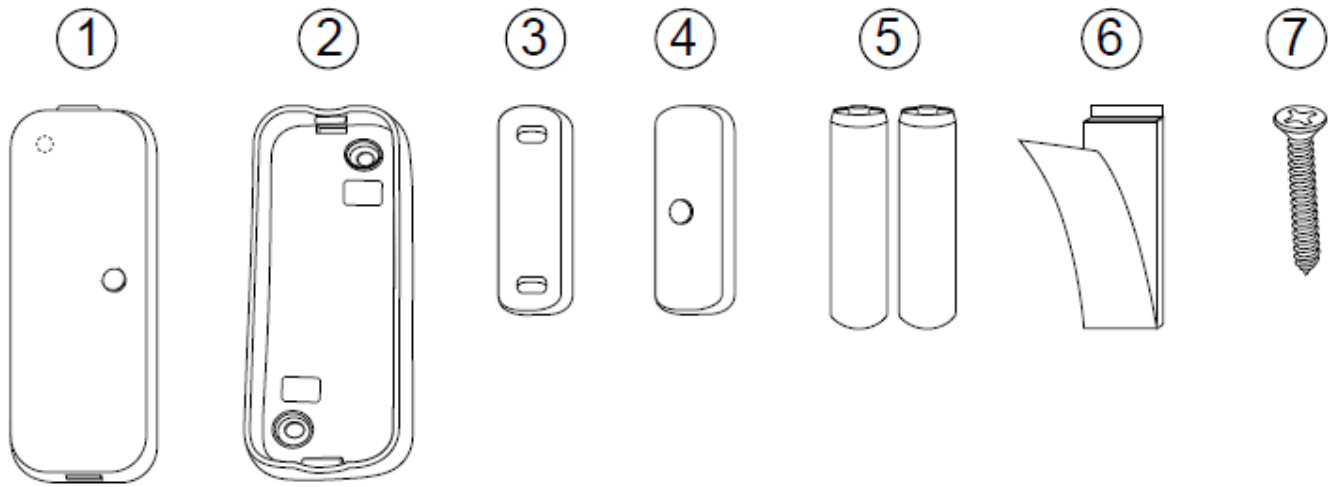
Aeotec by Aeon Labs Door Window Sensor

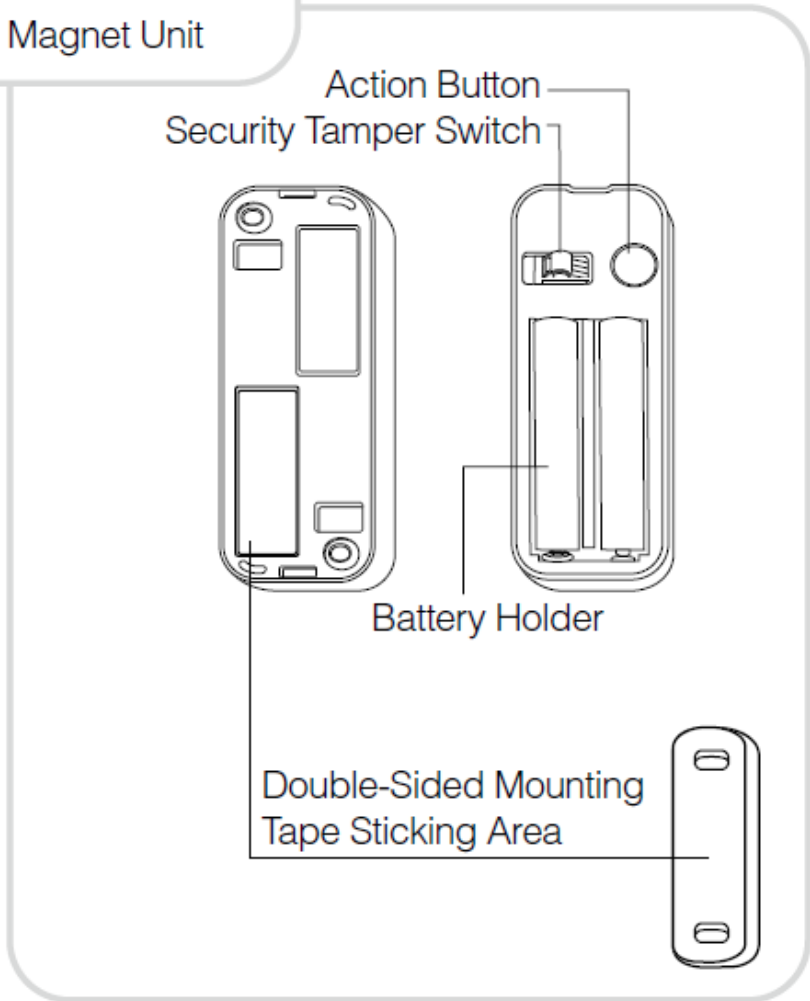
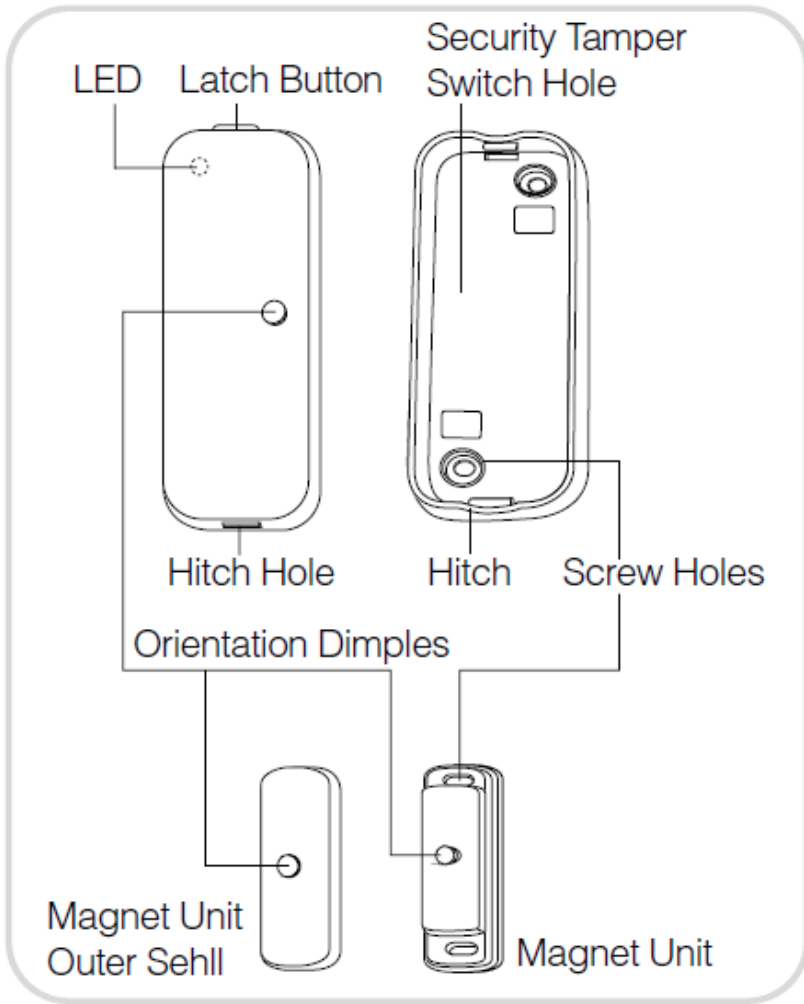
The Aeotec by Aeon Labs Door/Window Sensor Gen5 provides your Z-Wave network with the intelligence required for a modern home automation and security system. And it does it all in a smaller, more elegant design crafted to suit any home's decor. The Door Window Sensor is also a security Z-wave device that supports Over The Air (OTA) for firmware updates.

Familiarize yourself with your Door Window Sensor

Package contents:

1. Sensor Unit.
2. Bidirectional Mount Plate.
3. Magnet Unit.
4. Magnet Unit Outer Shell.
5. AAA Batteries (x2).
6. Double-Sided Mounting Tape (x6).
7. Screws (x4).

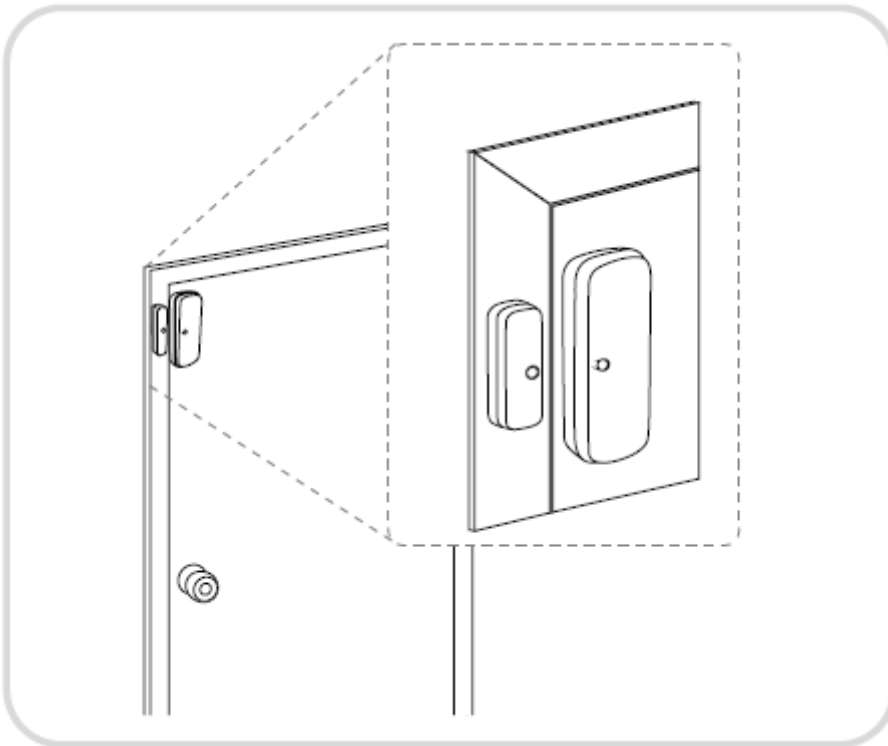




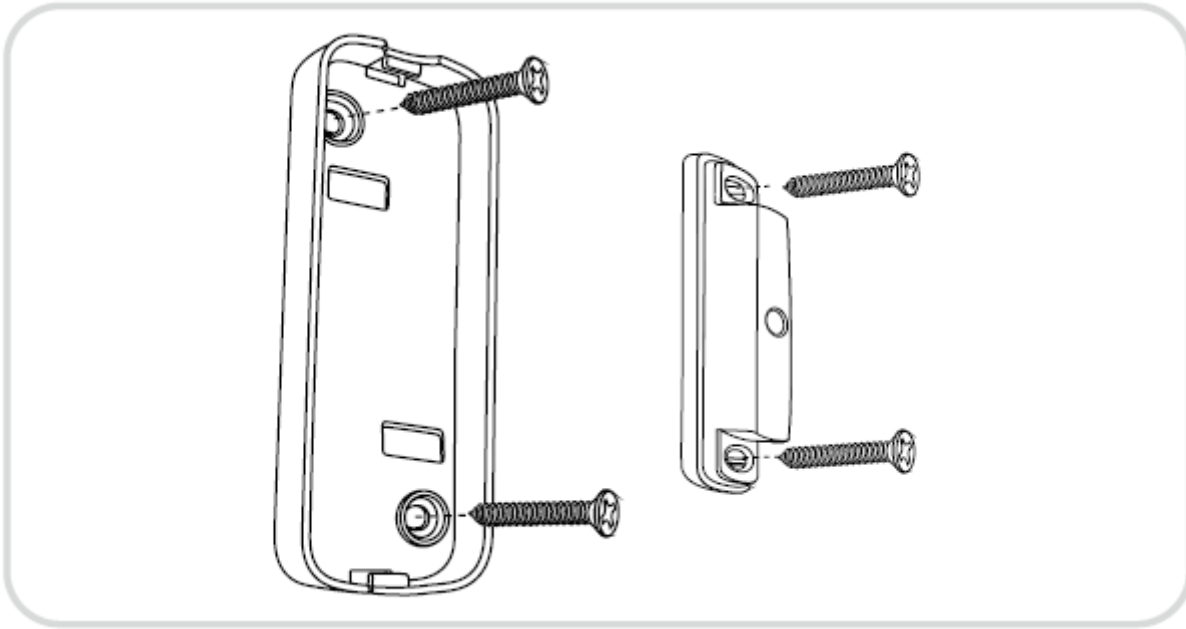
Quick Start.

The installation of your Door Window Sensor has two major steps: the Main Sensor and the Magnet. Your Door Window Sensor will use wireless technology to talk to your Z-Wave network once paired to your Z-Wave network. Selecting where you'll place your Door/Window Sensor in your home is just as important as the actual affixing it to the surface. Whether it's for security or intelligence purposes, your sensor: With your mounting plates prepared to hold each component of your sensor, it's time to add it to your Z-Wave network. With your sensor added to your Z-Wave network, it's now time to insert each main part of your sensor into the corresponding sensor plate.

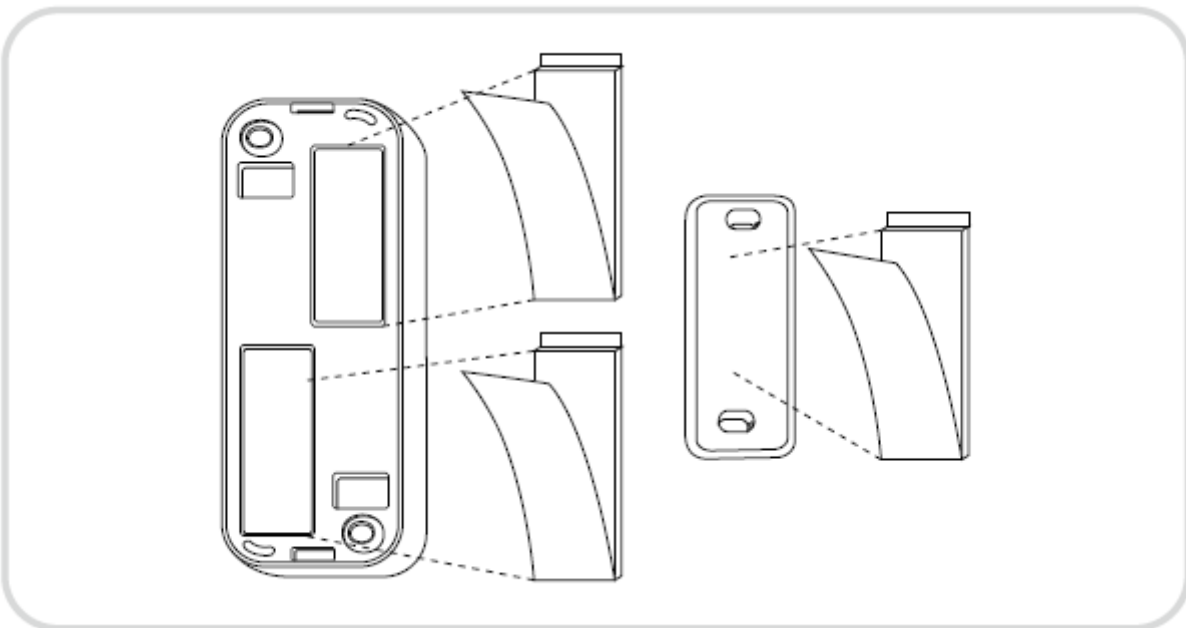
1. Should be affixed indoors and away from sources of moisture.
2. Placed within 30 meters of another Z-Wave device that is either a gateway or not powered by batteries.
3. The magnet and the main sensor must be less than 2cm apart. Main sensor must be affixed to the door or window and the magnet must be affixed to the frame. The magnet and the main sensor must separate when the door or window is opened.
4. Should not be mounted on a metal frame.



Affix your Sensor plates to a surface. The Mounting plates can be affixed using screws or double-sided tape. If you are using screws, attach both mounting plates to the respective surface using the two 20mm screws provided.



If you are using double-sided tape, wipe the two surfaces clean of any oil or dust with a damp towel. When the surface has completely dried, peel one side of the tape back and attach it to the corresponding section on the rear side of the mounting plates.



Adding your Sensor to your Z-Wave network.

With your mounting plates prepared to hold each component of your sensor, it's time to add it to your Z-Wave network.

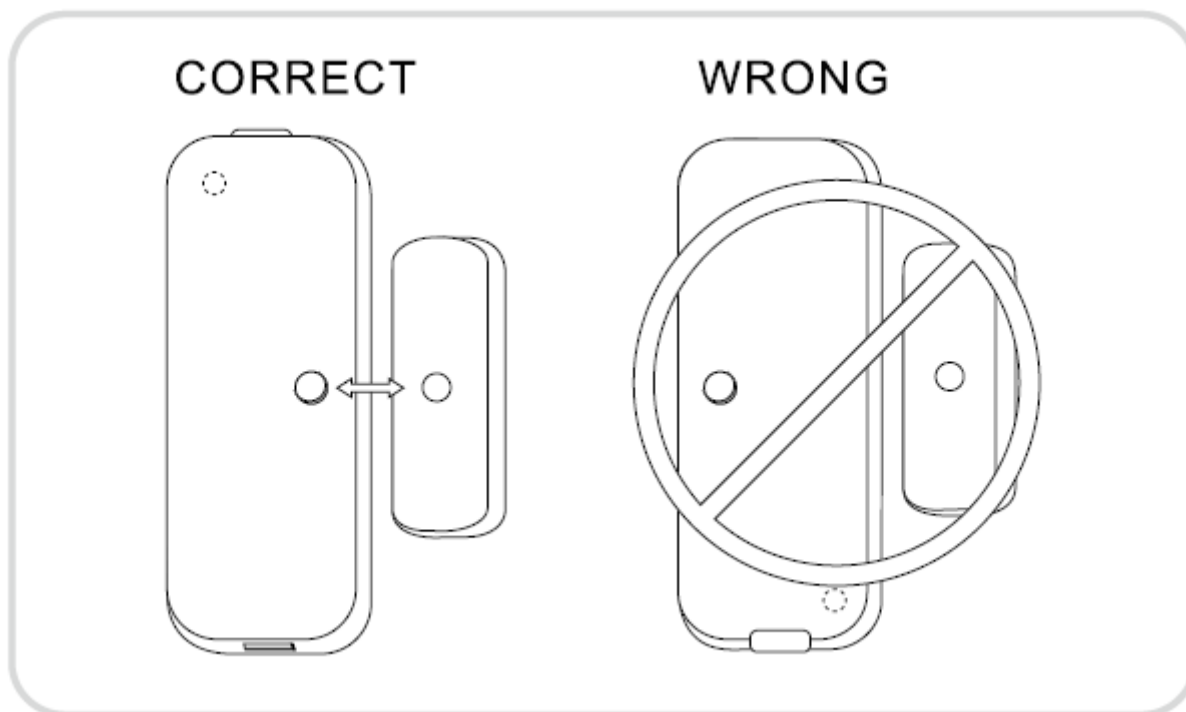
1. Let your Z-Wave primary controller/gateway enter into adding/inclusion mode.
2. Take your Sensor near to your primary controller.
3. Press the Action Button once on your Sensor.
4. If your Door Window Sensor has been successfully added to your Z-Wave network, its Status LED will fast blink for 2 seconds and then be solid for 2 seconds when you press the Action Button again. If the adding was unsuccessful and the Status LED continues to fast blink for 8 seconds and then slow blink for 3 seconds, repeat the above steps.

With your Door Window Sensor now working as a part of your smart home, you'll be able to configure it from your home control software or phone application. Please refer to your software's user guide for precise instructions on configuring Door Window Sensor to your needs.

Attach your Sensor to its plates.

With your sensor added to your Z-Wave network, it's now time to insert each main part of your sensor into the corresponding sensor plate.

1. Insert the larger of your two sensor parts into the large mounting plate ensuring that the dimple on the front is on the same side as the smaller mounting plate.
2. Insert the smaller of your two sensor parts into its mounting plate.



④ Advanced functions.

Wake Up Sensor.

In order to send your Sensor new configuration commands from your Z-Wave controller or gateway, it will need to be woken up.

1. Remove your Sensor unit from its Back Mounting Plate, press the Action Button on the back of the Sensor unit and then release the Action Button. This will trigger and send a wake up notification command to your controller/gateway.
2. If you want your Sensor to keep awake for a longer time, press and hold the Action Button on the back of the Sensor unit for 3 seconds, then your Sensor will wake up for 10 minutes and the Status LED will fast blink while it is awake.

Removing your Sensor from your Z-Wave Network.

Your sensor can be removed from your Z-Wave network at any time. You'll need to use your Z-Wave network's main controller/gateway. To do this, please refer to the part of their respective manuals that tell you how to remove devices from your network.

1. Put your primary controller into device removal mode.
2. Unlock your Sensor from the Back Mount plate and take the Sensor unit near to your primary controller.
3. Press the Action Button on your Sensor.
4. If your Door Window Sensor has been successfully removed from your Z-Wave network, its Status LED will fast blink for 8 seconds and then slow blink for 3 seconds when you press the Action Button again. If the removing was unsuccessful, the Status LED will fast blink for 2 seconds and then be solid for 2 seconds when you press the Action Button, repeat the above steps.

Include Sensor as a non-secure device.

If you want your Sensor as a non-security device in your Z-wave network, you just need to press the Action Button once on Door Window Sensor when you use a controller/gateway to add/include your Sensor.

Include Sensor as a secure device.

In order to take full advantage of all functionality the Door Window Sensor, you may want your Sensor is a security device that uses secure/encrypted message to communicate in Z-wave network, so a security enabled controller/gateway is needed for the Door Window Sensor to be used as a security device.

To do this, press the Sensor's Action Button 2 times within 1 second when your security controller/gateway starts the network inclusion.

Factory Reset Sensor.

If your primary controller is missing or inoperable, you may wish to reset all of your Door Window Sensor's settings to their factory defaults.

To do this, press and hold the Action Button for 20 seconds and Status LED will be solid for 2 seconds to confirm a success.

Technical specifications.

Model number: ZW120.

Battery: Up to 1 year battery life with 2×AAA batteries.

Operating temperature: 0°C to 40°C.

Relative humidity: 8% to 80%.

Operating distance: Up to 300 feet/100 metres outdoors.

